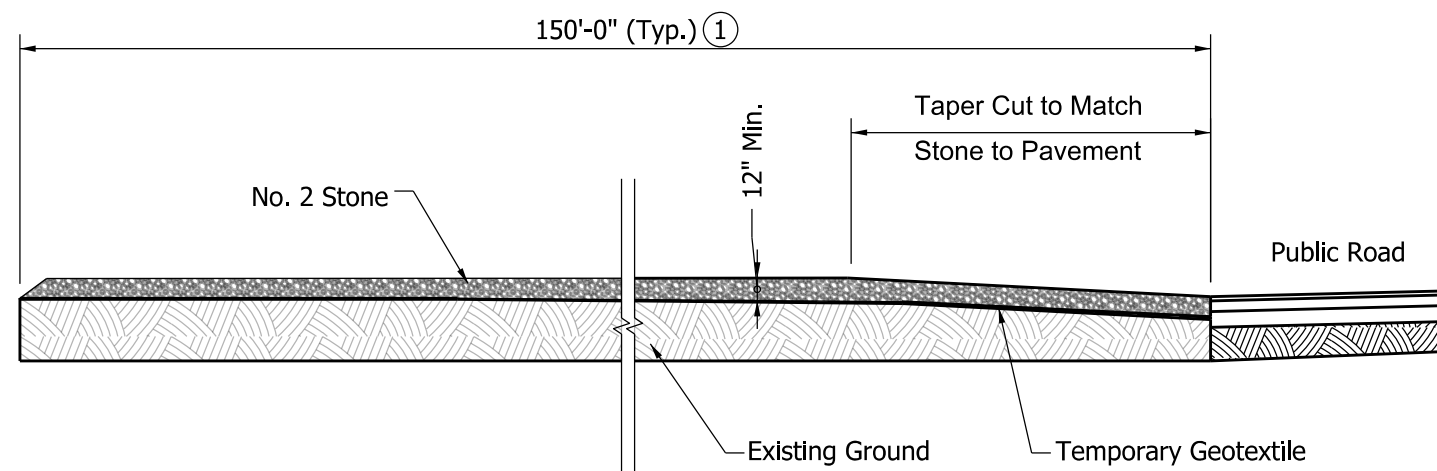


PLAN VIEW



PROFILE VIEW

NOTE:

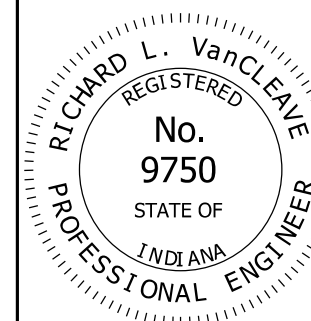
- ① May be reduced as justified by site conditions, but shall not be less than 50 ft.

INDIANA DEPARTMENT OF TRANSPORTATION

TEMPORARY EROSION CONTROL PERIMETER
CONSTRUCTION ENTRANCE

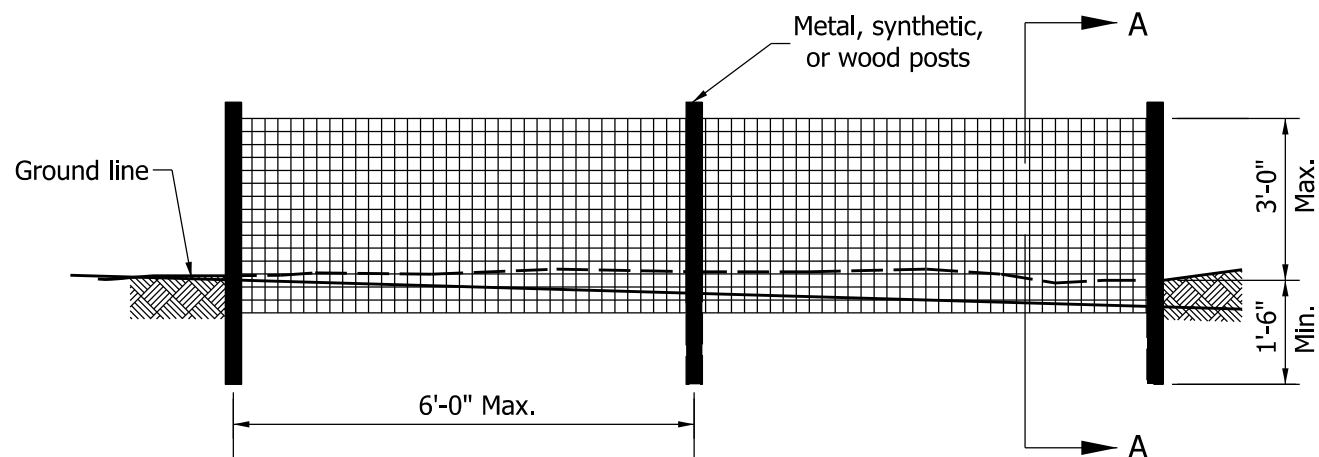
SEPTEMBER 2013

STANDARD DRAWING NO. E 205-TECP-01

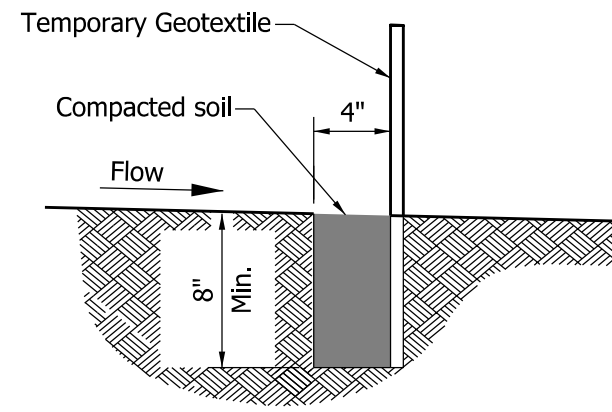


/s/ Richard L. VanCleave 06/12/13
DESIGN STANDARDS ENGINEER DATE

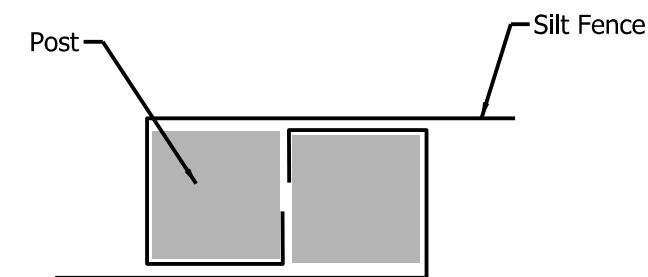
/s/ Mark A. Miller 06/13/13
CHIEF ENGINEER DATE



SILT FENCE ELEVATION



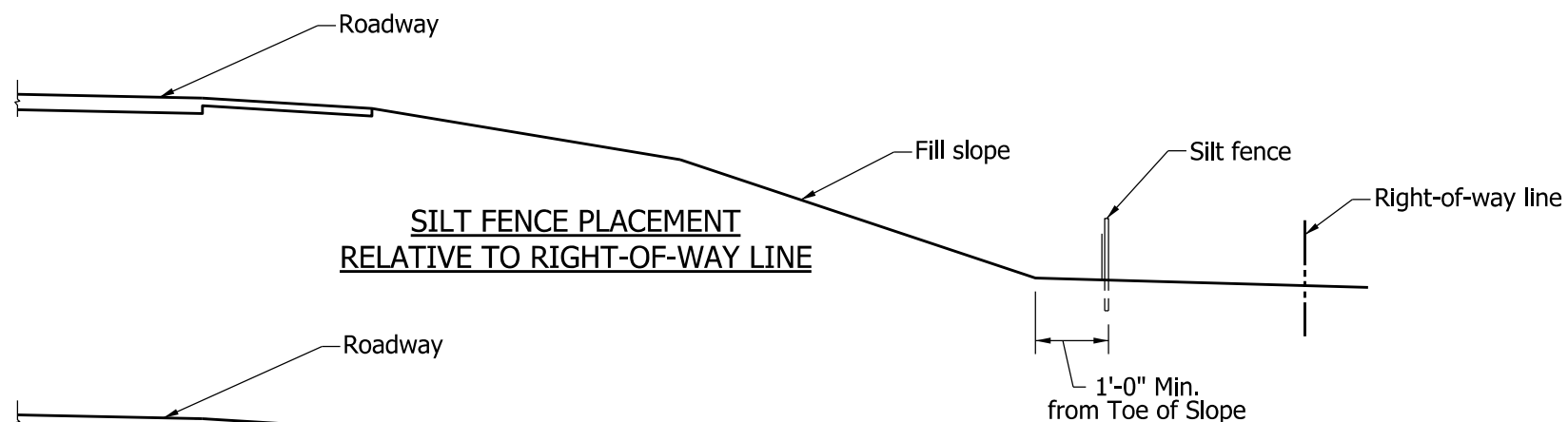
SECTION A-A



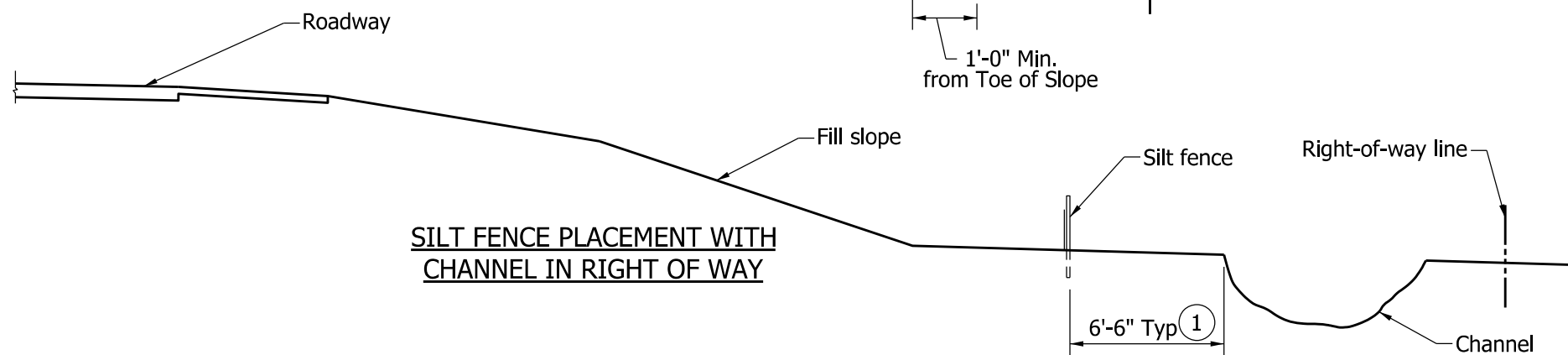
**JOINT DETAIL
PLAN VIEW**

NOTES:

- ① Dimension can vary based on right of way availability. Silt fence shall be placed as close as possible to edge of construction limits.
2. Silt fence may be placed by plowing if minimum embedment of 8 in. is maintained.



**SILT FENCE PLACEMENT
RELATIVE TO RIGHT-OF-WAY LINE**



**SILT FENCE PLACEMENT WITH
CHANNEL IN RIGHT OF WAY**

INDIANA DEPARTMENT OF TRANSPORTATION									
TEMPORARY SILT FENCE									
SEPTEMBER 2012									
STANDARD DRAWING NO.	E 205-TECP-02								
	<table style="width: 100%; border-collapse: collapse;"> <tr> <td style="width: 80%; border-bottom: 1px solid black;">/s/ <i>Richard L. VanCleave</i></td> <td style="width: 20%; border-bottom: 1px solid black;">09/04/12</td> </tr> <tr> <td style="font-size: small;">SUPERVISOR, ROADWAY STANDARDS</td> <td style="font-size: small;">DATE</td> </tr> <tr> <td style="border-bottom: 1px solid black;">/s/ <i>Mark A. Miller</i></td> <td style="border-bottom: 1px solid black;">09/04/12</td> </tr> <tr> <td style="font-size: small;">CHIEF ENGINEER</td> <td style="font-size: small;">DATE</td> </tr> </table>	/s/ <i>Richard L. VanCleave</i>	09/04/12	SUPERVISOR, ROADWAY STANDARDS	DATE	/s/ <i>Mark A. Miller</i>	09/04/12	CHIEF ENGINEER	DATE
/s/ <i>Richard L. VanCleave</i>	09/04/12								
SUPERVISOR, ROADWAY STANDARDS	DATE								
/s/ <i>Mark A. Miller</i>	09/04/12								
CHIEF ENGINEER	DATE								